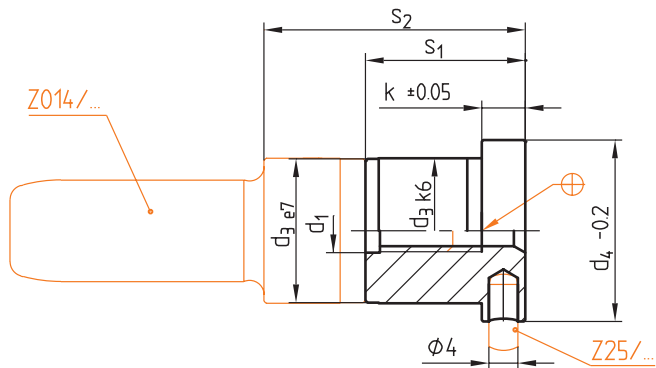


Z0141/...

Mat.: 1.2312/1080 N/mm²

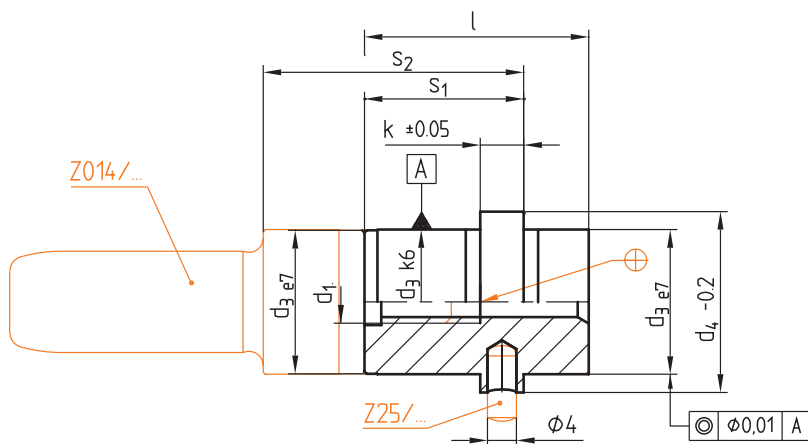


d ₄	d ₁	k	s ₁	s ₂	d ₃	Nr./No.
25	M5	6	13	27	20	Z0141/27x20
			22	36		36
			32	46		46
			42	56		56
31	M6		20	36	26	Z0141/36x26
			30	46		46
			40	56		56
			60	76		76

d ₄	d ₁	k	s ₁	s ₂	d ₃	Nr./No.
35	M 8	6	16	36	30	Z0141/36x30
			26	46		46
			36	56		56
			56	76		76
47	M10		21	46	42	Z0141/46x42
			31	56		56
			51	76		76
			71	96		96

Z0142/...

Mat.: 1.2312/1080 N/mm²



d ₄	d ₁	k	l	s ₁	s ₂	d ₃	Nr./No.
25	M5	6	22	13	27	20	Z0142/27x20
			31	22	36		36
			41	32	46		46
			51	42	56		56
31	M6		29	20	36	26	Z0142/36x26
			39	30	46		46
			49	40	56		56
			69	60	76		76

d ₄	d ₁	k	l	s ₁	s ₂	d ₃	Nr./No.
35	M 8	6	25	16	36	30	Z0142/36x30
			35	26	46		46
			45	36	56		56
			65	56	76		76
47	M10		30	21	46	42	Z0142/46x42
			40	31	56		56
			60	51	76		76
			80	71	96		96

This is trial version
www.adultpdf.com